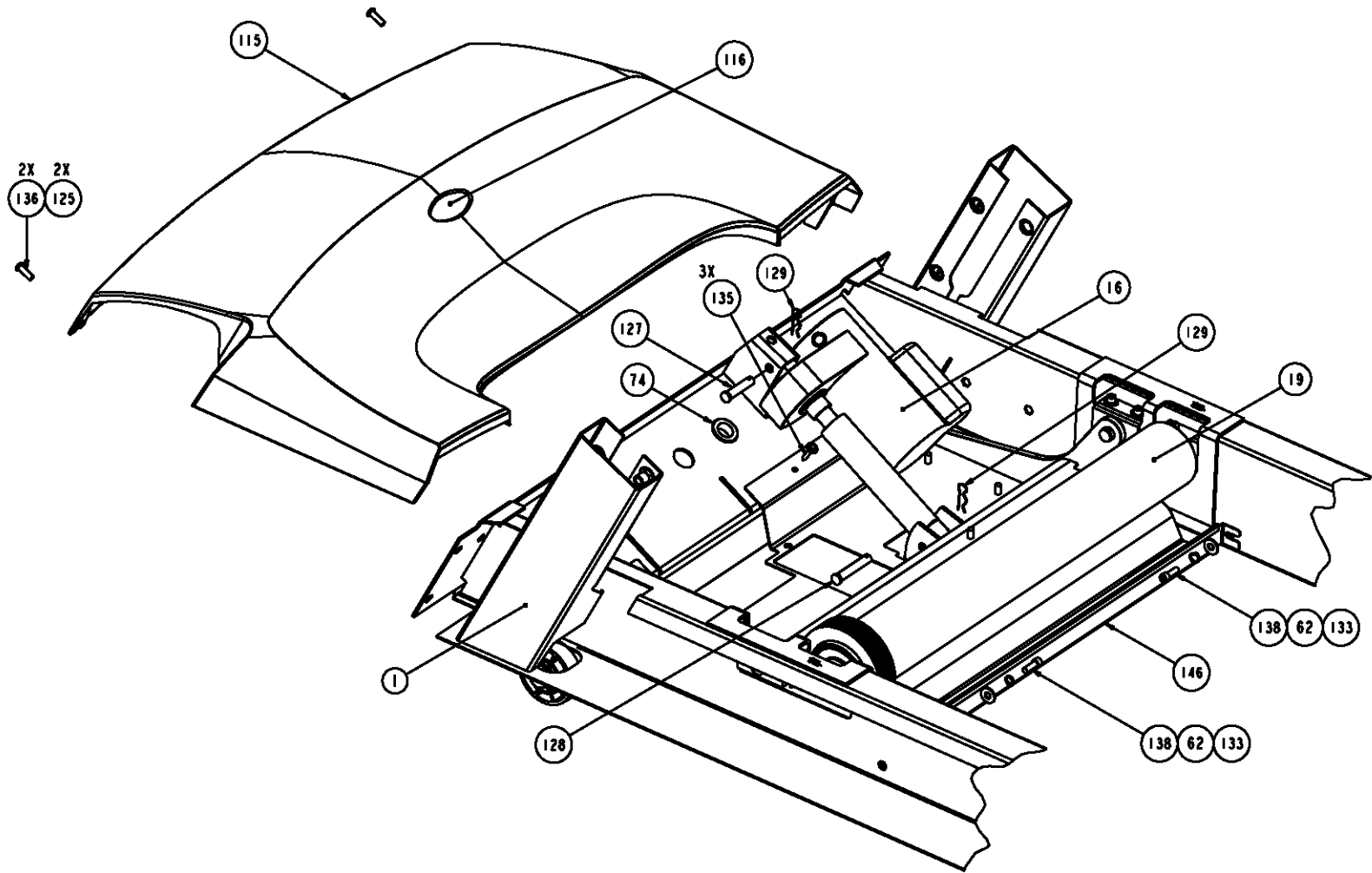
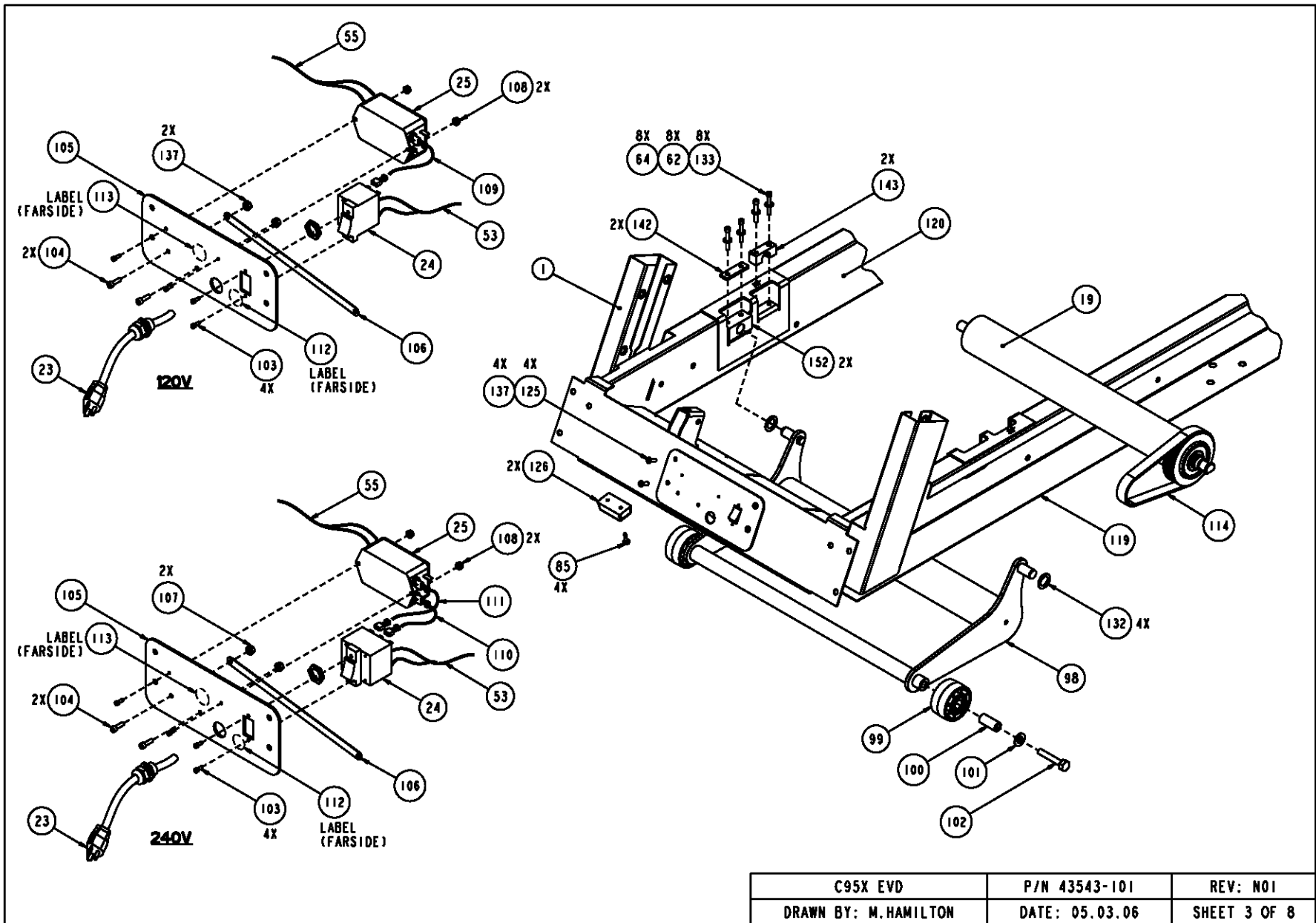
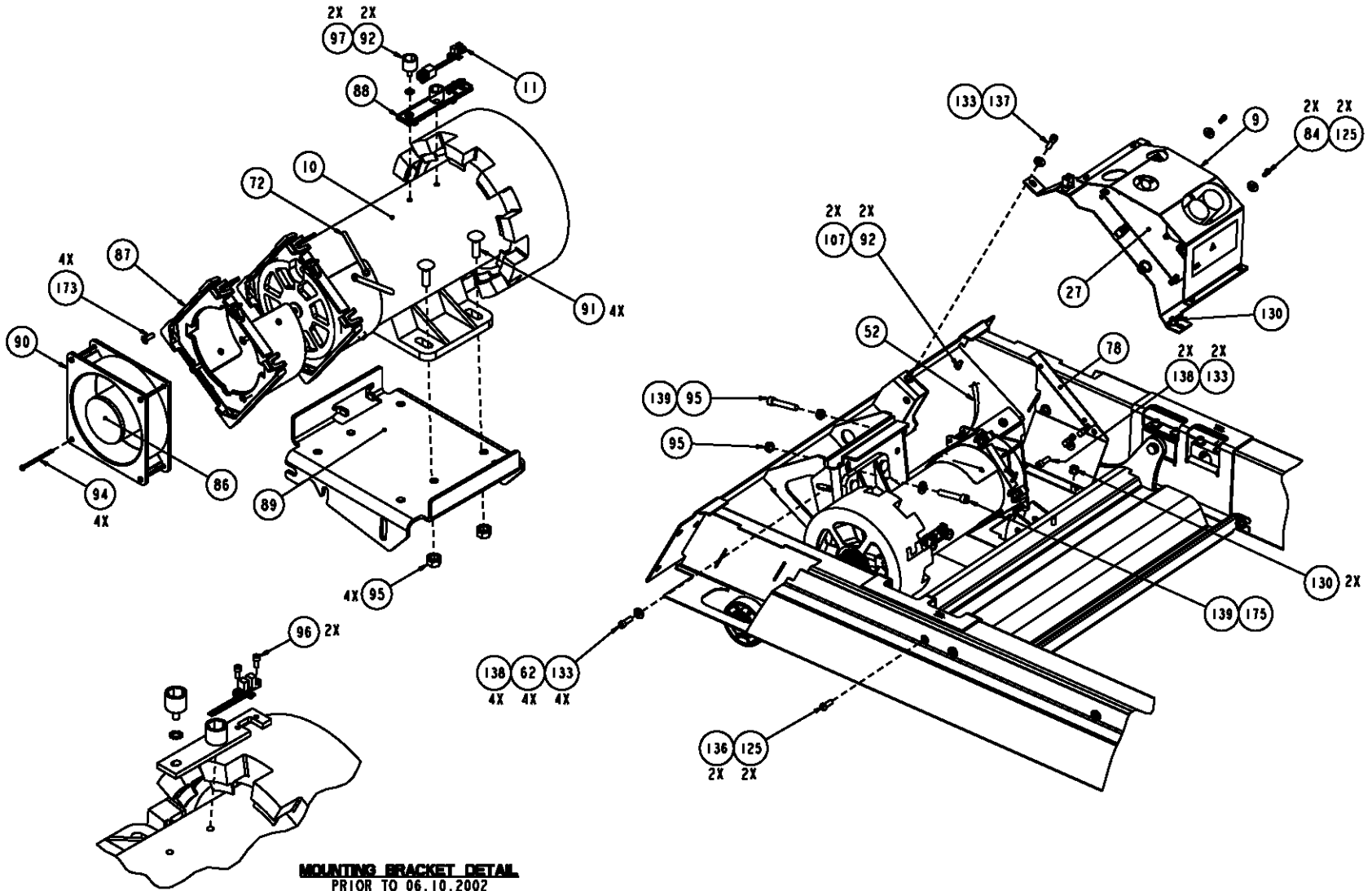


C95X EVD	P/N 43543-101	REV: N01
DRAWN BY: M.HAMILTON	DATE: 05.03.06	SHEET 1 OF 8



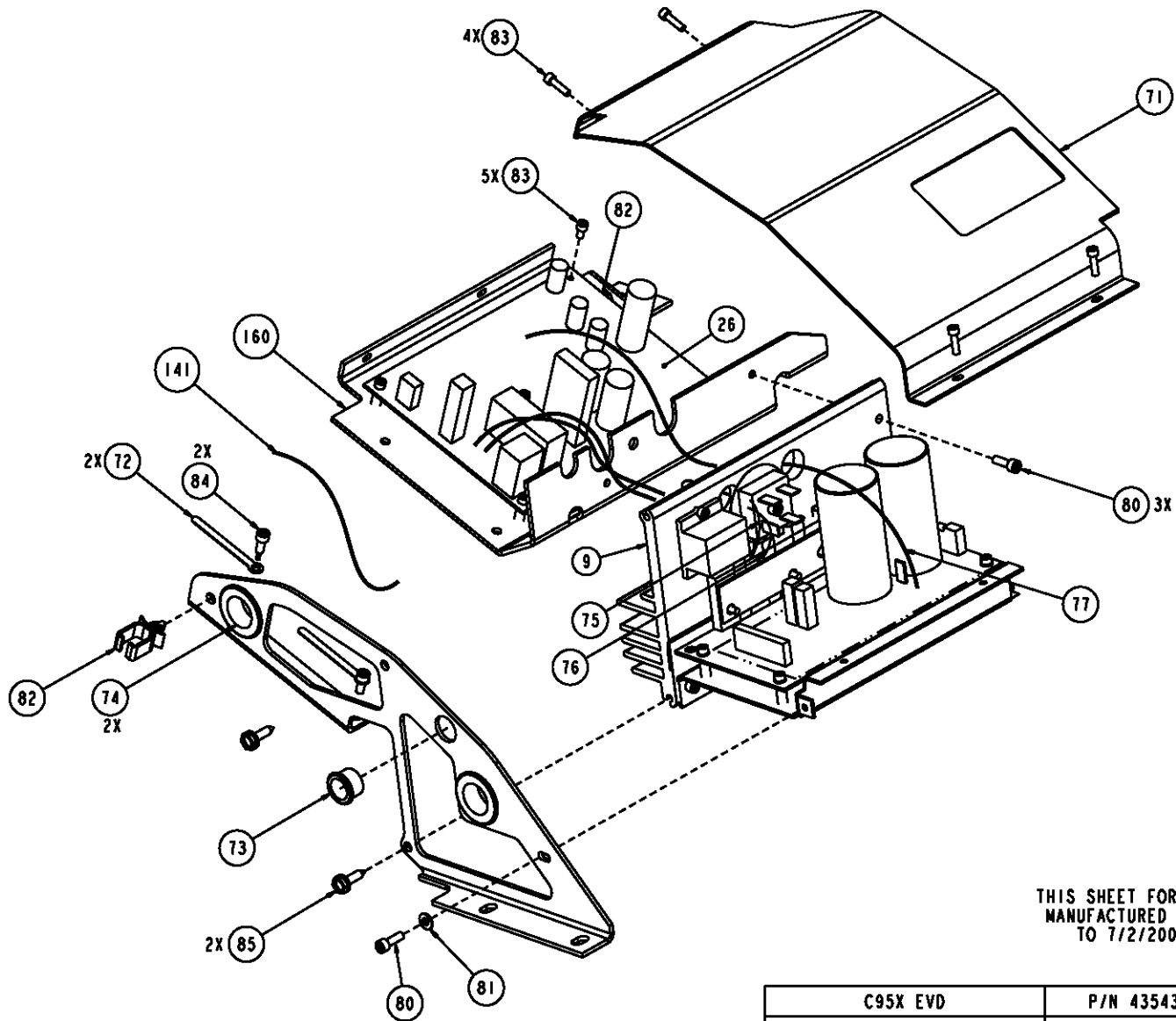
C95X EVD	P/N 43543-101	REV: N01
DRAWN BY: M.HAMILTON	DATE: 05.03.06	SHEET 2 OF 8





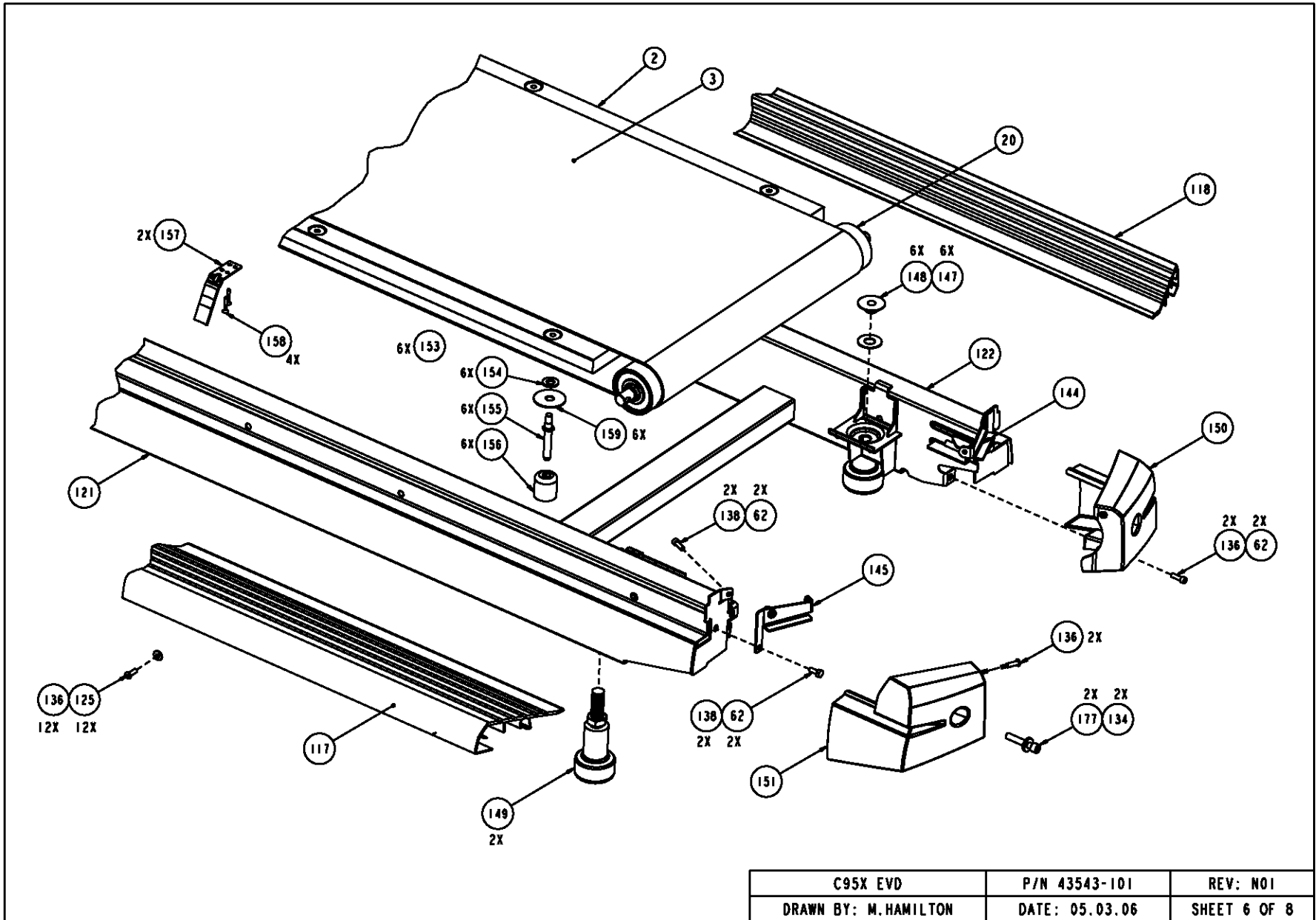
MOUNTING BRACKET DETAIL
PRIOR TO 06.10.2002

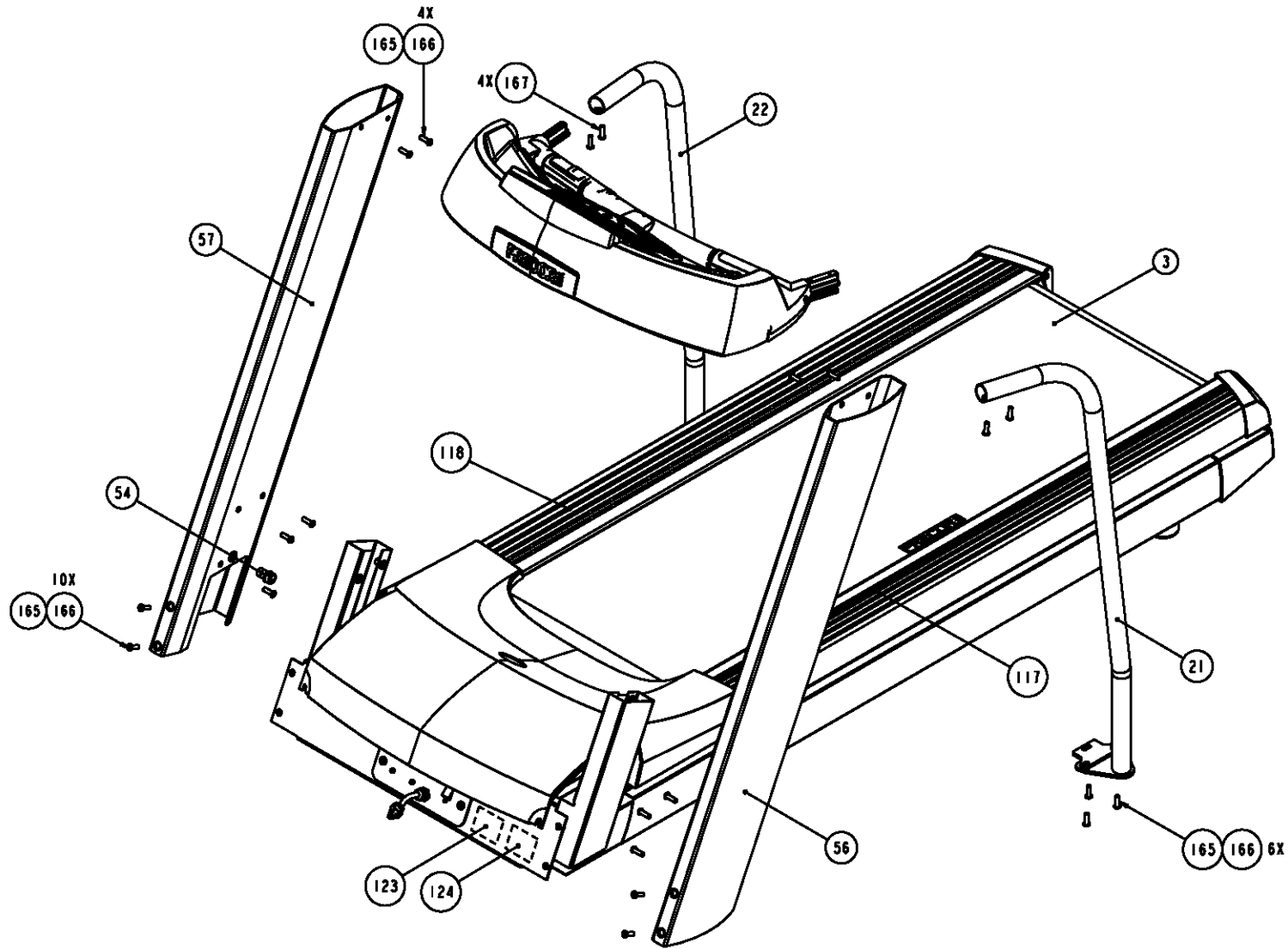
C95X EVD	P/N 43543-101	REV: N01
DRAWN BY: M.HAMILTON	DATE: 05.03.06	SHEET 4 OF 8



THIS SHEET FOR UNITS
 MANUFACTURED PRIOR
 TO 7/2/2001.

C95X EVD	P/N 43543-101	REV: N01
DRAWN BY: M.HAMILTON	DATE: 05.03.06	SHEET 5 OF 8





C95X EVD	P/N 43543-101	REV: N01
DRAWN BY: M.HAMILTON	DATE: 05.03.06	SHEET 8 OF 8

Bubble#	OEM Number	Description
74	PPP000000010178107	BUSHING, SNAP
901	PPP000000010186101	WRENCH, ALLEN, 5/32
902	PPP000000010186103	WRENCH, ALLEN, 3/16
129	PPP000000010400103	PIN, HITCH, .093 DIA, ZINC, #203
127	PPP000000010401106	PIN,CLEVIS, 3/8 X 1.75, ZINC
24	PPP000000010435101	CKT BRKR,250V,20A,MAGNETIC,ROCKER,2
50	PPP000000010762109	VELCRO,BLACK,LOOP 1000,W/ADHESIVE 7
51	PPP000000010762110	VELCRO,BLACK,HOOK 88,W/ADHESIVE 72,
205	PPP000000011075020	FUSE,200MA,250VAC,SLO,RAD,UL248-14
206	PPP000000011075102	FUSE,1.00A,250VAC,SLO,RAD,UL248-14
207	PPP000000011075105	FUSE,2.00A,250VAC,SLO,RAD,UL248-14
25	PPP000000011224102	FILTER,PWR LINE,250VAC,16A
900	PPP000000011277111	RIVNUT, INSERT, LG DIA,5/16X18
72	PPP000000012103101	CLAMP,CABLE,VINYL COATED
211	PPP000000012112102	RIVNUT,INSERT,HEX,5/16-18 (LENGTH .
198	PPP000000012259102	SWITCH,MICRO,PLUNGER,SPNC
180	PPP000000012264101	RJ-45 TELEPHONE JACK PLUG
990	PPP000000020002109	BRUSH, MOTOR (YP00520, YP00558)
113	PPP000000033984101	LABEL, SAFETY, GROUND SYMBOL
100	PPP000000036192101	BUSHING, SPANNER
112	PPP000000037436101	LABEL, CHASIS NEUTRAL
123	PPP000000037437102	LABEL, FUSE, FIRE HAZARD
157	PPP000000042452102	BELT TRACKER
170	PPP000000042713102	HHR SENSOR, TOP
169	PPP000000042714102	HHR SENSOR, BOTTOM
156	PPP000000043018101	CUSHION,GFX,URETHANE
68	PPP000000043851101	LABEL,RIGHT,DASH,ENG,9.55
66	PPP000000044202104	ASSEMBLY, STOP BUTTON
99	PPP000000044270101	WHEEL, LIFT
7	PPP000000044905084	ASSY,CBL,MOD,8P8C,1-1,SILVER,84 in.
60	PPP000000049725101	RECEIVER, WIRELESS, HEART RATE, HIG

84	PPP00000CATE016038	SCREW,SKHD, #8-32 X 3/8,BLK SHARPER
65	PPP00000CATN025100	SCREW,SKHD,1/4-20X1,BLK SHARPERIZED
64	PPP00000CATN025175	SCREW,SKHD,1/4-20X1.75,BLK SHARPERI
97	PPP00000CBKN019038	SHCS,10-32 X .375,STL,BLK ZN
137	PPP00000CCNN025075	SCREW, SKHD,1/4-20X3/4,SS,LK
108	PPP00000KGCN013011	LOCKNUT, STARWASHER 6-32, #6
95	PPP00000KGCN031027	LOCKNUT,STARWASHER,5/16-18,1/2
63	PPP00000PGTN016050	SCREW,S/T,#8X1/2,TRS,PHIL,BLK SHARP
135	PPP00000PKCN019050	SCREW,S/T,#10X1/2,WSHHXHD,ZN
85	PPP00000PKCN019075	SCREW,S/T,#10X.75,WSHHXHD,ZN
171	PPP00000TCNN016075	SCREW, BTHD, 8-32X.75,SS
165	PPP00000TCNN031100	SCREW,BTHD,5/16-18X1, SS
175	PPP00000WBCN031007	WASHER,FLT,5/16X.688X.065, ZN
125	PPP00000WPNN025007	WASHER,FLAT,1/4,SSTL
166	PPP00000WPNN038008	WASHER,FLT,5/16X.875X.104,SS
153	PPP00000KANNN038044	NUT, TEE, 3/8-16, 4 PRONG
159	PPP00000WABCN050006	WASHER, FEN,1/2,.531ID,OD=2.00,TH=.
62	PPP00000WALCN025006	WASHER, SPLIT LOCK, 1/4 MED,
92	PPP00000WAMCN019002	WASHER, LOCK, EXT TOOTH, #10
134	PPP00000WAVCN038015	WASHER,FLAT,TYPA,3/8,STL,CLR ZN